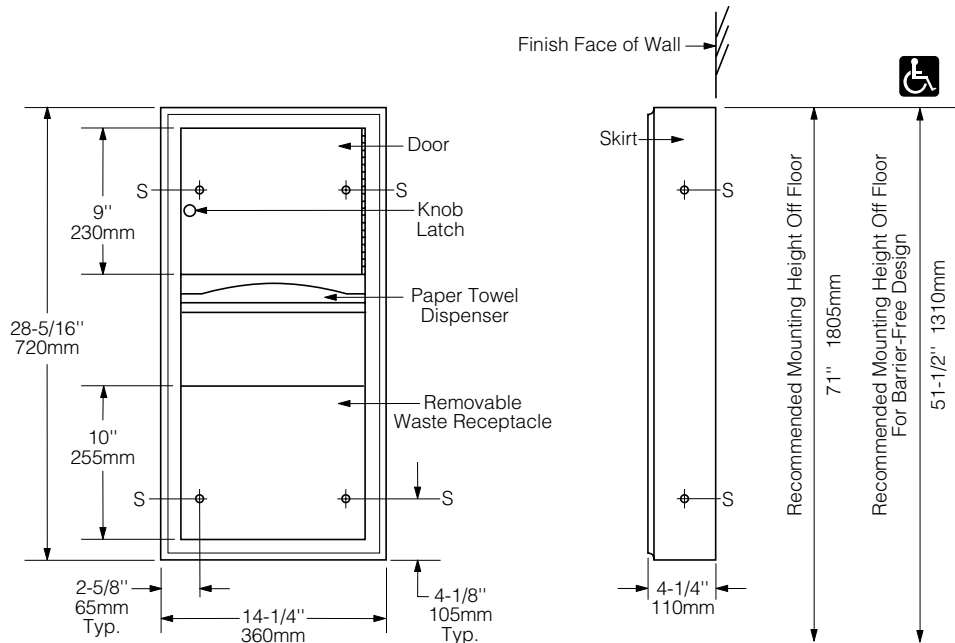




Technical Data

SURFACE-MOUNTED PAPER TOWEL DISPENSER AND WASTE RECEPTACLE

B-3699



MATERIALS:

Cabinet — 18-8 S, type-304, 22-gauge (0.8mm) stainless steel. All-welded construction. Exposed surfaces have satin finish.

Flange — 18-8 S, type-304, 22-gauge (0.8mm) stainless steel with satin finish. Drawn and beveled, one-piece, seamless construction.

Skirt — 18-8 S, type-304, 22-gauge (0.8mm) stainless steel with satin finish.

Door — 18-8 S, type-304, 22-gauge (0.8mm) stainless steel with satin finish. Secured to cabinet with a full-length, stainless steel piano-hinge. Equipped with a knob latch.

Paper Towel Dispenser — 18-8 S, type-304, 22-gauge (0.8mm) stainless steel with satin finish. Capacity: 350 C-fold or 475 multifold paper towels.

Waste Receptacle — 18-8 S, type-304, Heavy-gauge stainless steel with satin finish. Top edges are hemmed for safe handling. Friction catch. Capacity: 2 gal. (7.6 L).

OPERATION:

Paper towel dispenser will dispense C-fold or multifold paper towels without adjustment. Rounded towel tray has hemmed opening to dispense paper towels without tearing. Waste receptacle is retained in cabinet by a friction catch and is removable for servicing.

INSTALLATION:

Mount unit on wall with #8 x 1-1/4" (4.2 x 32mm) sheet-metal screws (not furnished) at points indicated by an S. For plaster or dry wall construction, provide concealed backing to comply with local building codes, then secure unit with sheet-metal screws. For other wall surfaces, provide fiber plugs or expansion shields for use with sheet-metal screws, or provide 1/8" (3mm) toggle bolts or expansion bolts. If unit projects above top of wainscot, provide aluminum channel or other filler to eliminate gap between unit and finish face of wall.

SPECIFICATION:

Surface-mounted paper towel dispenser and waste receptacle shall be type-304 stainless steel with all-welded construction; exposed surfaces shall have satin finish. Flange shall be drawn, one-piece, seamless construction. Door shall be secured to cabinet with a full-length, stainless steel piano-hinge, and equipped with a knob latch. Paper towel dispenser shall dispense 350 C-fold or 475 multifold paper towels without adjustment or use of adapters. Removable stainless steel waste receptacle shall be retained in cabinet by a friction catch, have top edges hemmed for safe handling; and shall have a minimum capacity of 2 gal. (7.6 L). Manufacturer's service and parts manual shall be provided to the building owner/manager upon completion of project.

Surface-Mounted Paper Towel Dispenser And Waste Receptacle shall be Model B-3699 of Bobrick Washroom Equipment, Inc., Clifton Park, New York; Jackson, Tennessee; Los Angeles, California; Bobrick Washroom Equipment of Canada Ltd., Scarborough, Ontario; Bobrick Washroom Equipment Pty. Ltd., Australia; and Bobrick Washroom Equipment Limited, United Kingdom.